



GARDEN MART®

This structure was designed with the three E's in mind—Ease, Economy, and Efficiency. The ease of our tool-free snap button design allows for simplified set-up in just hours. Economically, you'll benefit from this structure's convenient ventilation options and built-in display benching, which allows for greater merchandising of flats and hanging baskets. Easy expansion options ensure you can efficiently upgrade your operation at any time.

FEATURES

Polyethylene Film Choices: Choose from white or clear poly film with Wiggle Wire® attachment system.

Hold Down System Selection: We have an option to suit your needs; choose from water tubes, ground stakes or leg stands.

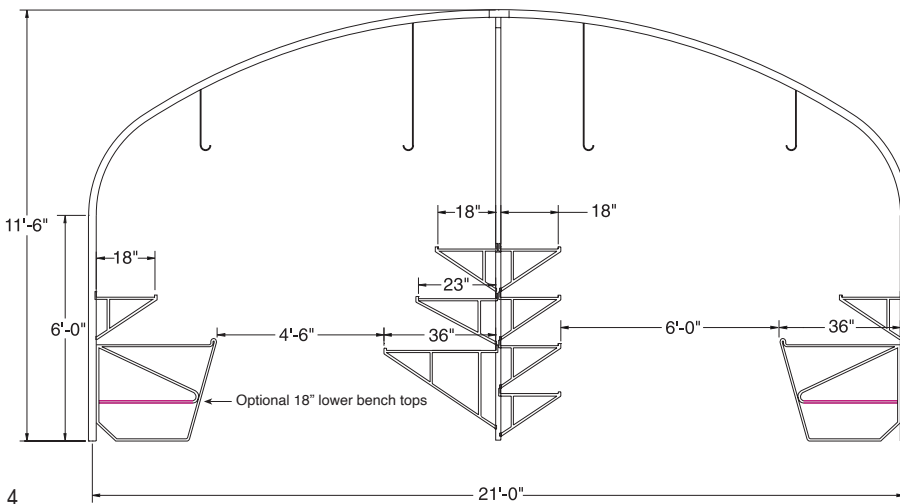
Side Benching Brackets Included: Structure comes complete with side display brackets ready for optional bench tops so you can simply assemble and sell.

Hanging Basket Purlins: Structure comes with four runs of hanging basket purlins and attractively displays baskets conveniently within your customer's reach.

Double Sliding End Door: Space saving double sliding door measures six feet wide and provides ample room for customer and cart access.

Center Benching: Select from our Flat Stacker or Tiered Display.

Ventilation Options: Your selection of Slide-Side or Roll-up Side ventilation; both allow you to easily control the climate of your structure; Slide-Side Ventilation is constructed of 8mm commercial grade polycarbonate sheeting; Roll-up Sidewall Vents include a self-locking gearbox.



SPECIFICATIONS

Width: 21'

Length: 24'-96' (in 6' sections)

Sidewall Height: 6'

Height to Apex: 11'-4"

Frame Spacing: 6'

Door: (2) 3' wide x 6'-8" high

Cover: Clear or white 6 mil. UVI treated polyethylene

End Wall Cover: Clear 6 mil. UVI treated polyethylene

Frame: 2" O.D. 14 ga. galvanized steel tubing

Ventilation: Slide-Side or Roll-Up sides

For more information and pricing visit www.poly-tex.com



Garden Mart Base Package Includes:

- 2" O.D. 14 ga. galvanized snap-button frame with wind braces
- (4) full-length runs of hanging basket purlins
- Integrated center & side bench support brackets
- Wiggle Wire poly fastenings system
- Clear or white single layer 6mil roof and end wall polyethylene
- Slide-Side or Roll-up Side ventilation
- (1) set of double sliding end doors
- Assembly hardware and instructions.

CHOOSE INCLUDED CENTER BENCH BRACKET STYLE



Flat Stacker Center Bracket Configuration

OR



Tiered Center Bracket Configuration



Choice of Roll-up or Slide-Side Ventilation Included

Choose from sliding side walls made from 8mm commercial grade polycarbonate sheeting or optional roll-up polyethylene film sides with self-locking gearbox to control air flow.

ADD A BENCHTOP PACKAGE FOR READY-TO-SHOP INTEGRATED DISPLAYS



Standard Bench Package:
Great for displaying flats! Includes: Two-tier arrangement roll-form bench tops for the sides of your greenhouse and your choice of either tiered or flat stacker style roll-form bench tops for the center.

OR



Expanded Metal Bench Package: Display flats as well as smaller items that aren't in a tray. Includes: Two-tier arrangement expanded metal bench tops for the sides and your choice of tiered or flat stacker expanded metal bench tops for the center.

ADD-ONS



Additional Side Door
Add a side door to your structure for improved traffic flow and customer access between garden center areas.



Additional End Door
Add an end door to your structure for improved traffic flow and ventilation.



Snap Button Design
Simple and strong.
Our snap button connection system, decreases your set-up time and provides added strength.



BENCH-MART SR®

The perfect size to begin selling live goods, the Bench-Mart SR is designed to sell an enormous amount of product without disrupting traffic flow in your parking lot. The 17' width usually fits in the length of just one parking space (about 18'). Easy, snap button assembly and great features will have you up and in top selling shape in no time!

FEATURES

Polyethylene Film Choices: Choose from white or clear poly film with Wiggle Wire® attachment system.

Hold Down System Selection: Choose from water tubes or spikes for secure structure placement.

Center and Side Benching Included: Built-in side and center display brackets and standard bench tops ensure you can start selling quickly.

Hanging Basket Purlins: Structure comes with four runs of hanging basket purlins and attractively displays baskets conveniently within your customer's reach.

Double Sliding End Door: Space saving sliding door measures six feet wide and provides ample room for customer and cart access.

Slide-Side Ventilation: Constructed of 8mm commercial grade polycarbonate sheeting, our Slide-Side Ventilation helps you easily control the climate and airflow of your structure.



SPECIFICATIONS

Width: 17'

Length: 24'–96' (in 6' sections)

Sidewall Height: 6'

Height to Apex: 10'-6"

Frame Spacing: 6'

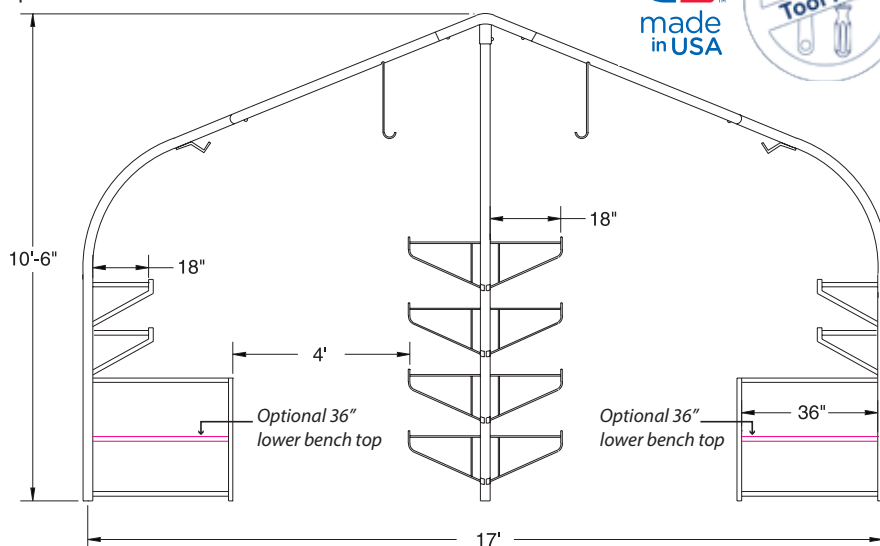
Door: (2) 3' wide x 6'-8" high

Cover: Clear or white 6 mil. UVI treated polyethylene

End Wall Cover: Clear 6 mil. UVI treated polyethylene

Frame: 1.66" O.D. 16 ga. galvanized steel tubing

Ventilation: Slide-Side



For more information and pricing visit www.poly-tex.com



Bench-Mart SR Base Package Includes:

- 1.66" O.D. 16 ga. galvanized snap-button frame with wind braces
- (4) full-length runs of hanging basket purlins
- Integrated center & side bench support brackets **with standard bench tops included**
- Wiggle Wire poly fastenings system
- Clear or white single layer UVI treated 6mil roof and end wall polyethylene
- Slide-Side ventilation
- (1) set of double sliding end doors
- Water tube or spike hold down system
- Assembly hardware and instructions.

FLAT STACKER CENTER BENCH BRACKET STYLE WITH STANDARD BENCH TOPS INCLUDED



Flat Stacker Center Bracket Configuration

+



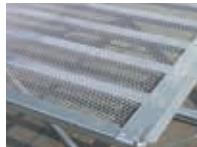
Standard Bench Tops



Slide-Side Ventilation Included

Sliding side walls made from 8mm commercial grade polycarbonate sheeting to control air flow.

OPTIONAL UPGRADED BENCH TOP PACKAGE



Expanded Metal Bench Package: Perfect for displaying flats as well as hard goods or smaller items that aren't in a tray. Includes two-tier arrangement expanded metal bench tops for the sides and your choice of tiered or flat stacker expanded metal bench tops for the center.

BENCH-MART SR ADDITIONS



Additional Side Door:
Add a side door to your structure for improved traffic flow and customer access between garden center areas.



Additional End Door
Add an end door to your structure for improved traffic flow and ventilation.



Snap Button Design
Simple and strong.
Our snap button connection system, decreases your set-up time and provides added strength.



KOOL-MART

The Kool-Mart is one of our most economical structures yet it still offers the same quality construction, snap button set-up, and high-volume display benching as our other seasonal retail greenhouses. It also features large roll-up doors on both ends for easy cart access and superior ventilation. Go from zero to garden center in just hours with the simple elegance of the Kool-Mart.

FEATURES

Polyethylene Film Choices: Choose from white or clear poly film with Wiggle Wire® attachment system.

Hold Down System: Easily installed spikes ensure secure structure placement.

Center and Side Benching Brackets Included: Side and center display brackets and optional bench tops ensure you can start selling quickly.

Hanging Basket Purlins: Structure comes with six runs of hanging basket purlins and attractively displays baskets conveniently within your customer's reach.

Front and Rear Roll-Up End Doors: Space saving, maintenance free, roll-up doors are ten feet wide and provide ample access for customers and carts.

Modular Design: Allows you to easily and economically expand this structure.

Ventilation: Optional roll-up sidewall vents with self-locking gear box, provide a natural, simple, and effective way to control climate and airflow of your structure.

SPECIFICATIONS

Width: 20'

Length: 24'–96' (in 6' sections)

Height to Apex: 10'

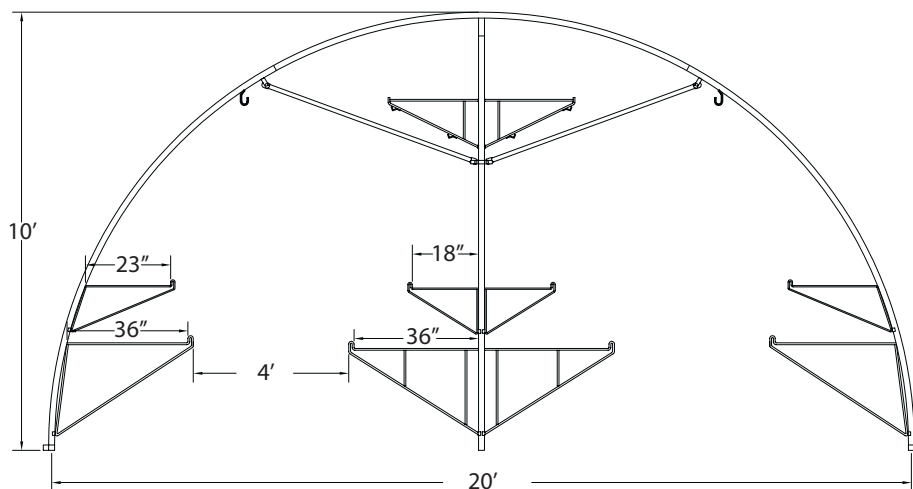
Frame Spacing: 6'

Door: (2) 10' wide x 7' high white, 3-ply reinforced polyethylene roll-up doors

Cover: Clear or white 6 mil. UVI treated polyethylene

End Wall Cover: Clear 6 mil. UVI treated polyethylene

Frame: 1.66" O.D. 16 ga. galvanized steel tubing





Kool-Mart Base Package Includes:

- 1.66" O.D. 16 ga. galvanized snap-button frame with wind braces
- (6) full-length runs of hanging basket purlins
- Integrated center & side bench support brackets
- Wiggle Wire poly fastenings system
- Clear or white single layer UVI treated 6mil roof and end wall polyethylene
- (2) 10' wide roll-up end doors
- Water tube or spike hold down system
- Assembly hardware and instructions.



Snap Button Design

Simple and strong. Our snap button connection system, decreases your set-up time and provides added strength.



Optional Ventilation Package

Roll-Up Sidewall vent package with self-locking gearbox will provide greater control or airflow.

ADD A BENCHTOP PACKAGE FOR READY-TO-SHOP INTEGRATED DISPLAYS



Standard Bench Package:
Great for displaying flats! Includes: Two-tier arrangement roll-form bench tops for the sides of your greenhouse and your choice of either tiered or flat stacker style roll-form bench tops for the center.

OR



Expanded Metal Bench Package: Display flats as well as smaller items that aren't in a tray. Includes: Two-tier arrangement expanded metal bench tops for the sides and your choice of tiered or flat stacker expanded metal bench tops for the center.

KOOL-MART ADDITIONS



Sliding End Doors:
Upgrade from roll-up front and end doors to these easily installed sliding doors.



Roll-Up Sidewall Vents
Optional roll-up sidewall vents with self-locking gearbox will provide even greater control of airflow.



ACCESSORIES Additional items to round out your garden center:



Additional displays benches:
see page 12.



Mulch and Rock Display
see page 25.



Paver Display
see page 25.



EZ-MART

Introducing the all new EZ-Mart! The perfect size for the small to medium garden retailer, this retail greenhouse includes: integrated expanded metal bench tops, Slide-Side ventilation for temperature control, and a swinging door with latch. It also features tool-free assembly so set-up is a snap!

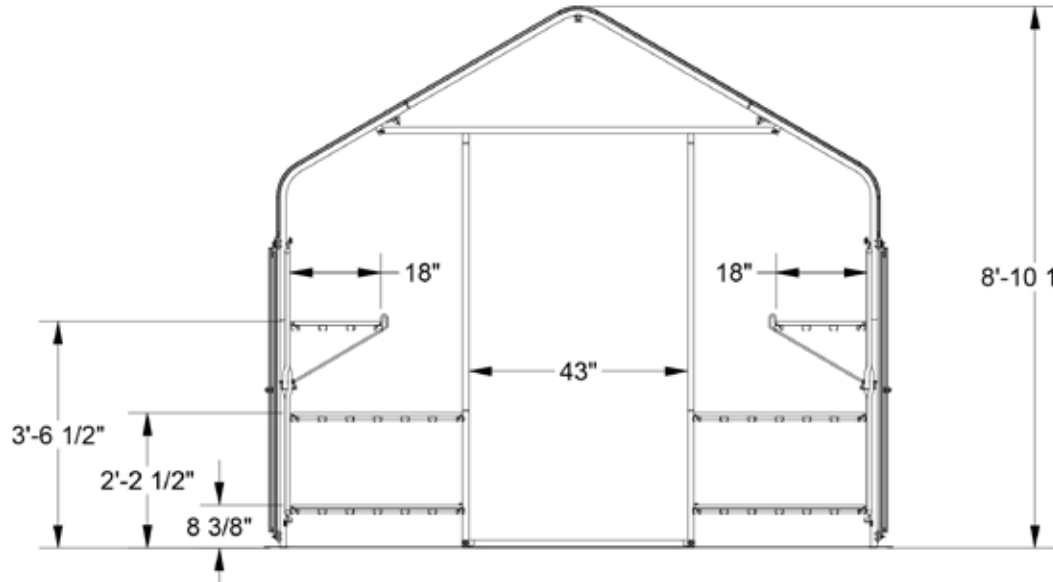
FEATURES/OPTIONS

Side Benching Included: Built-in side brackets and 3 tiers of expanded metal bench tops ensure quick merchandising.

Hanging Basket Purlins: Structure comes with two runs of hanging basket purlins and attractively displays baskets conveniently within your customer's reach.

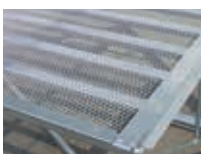
Latching End Door: Single swinging door with latch and open door catch.

Slide-Side Ventilation: An easy manner to provide climate control and air flow for your customers and plants.



SPECIFICATIONS

- Width:** 10'- 2"
- Length:** 6'- 24'
- Sidewall Height:** 6'
- Height to Apex:** 8'- 10"
- Frame Spacing:** 6"
- Door:** Single 42" wide x 6'- 8" high
- Ventilation:** Slide-Side
- Cover:** White 6 mil. UVI polyethylene
- End Wall Cover:** Clear 6 mil. UVI polyethylene
- Frame:** 1.25" O.D. 14 ga. sq. galvanized steel tube frame and 18 ga. galvanized steel roll-form



Expanded Metal Bench Tops: These bench tops allow you to increase your merchandising options to include smaller products, see page 32.



Additional End Door: Add an end door to your structure for improved traffic flow and customer access between garden center areas.

